

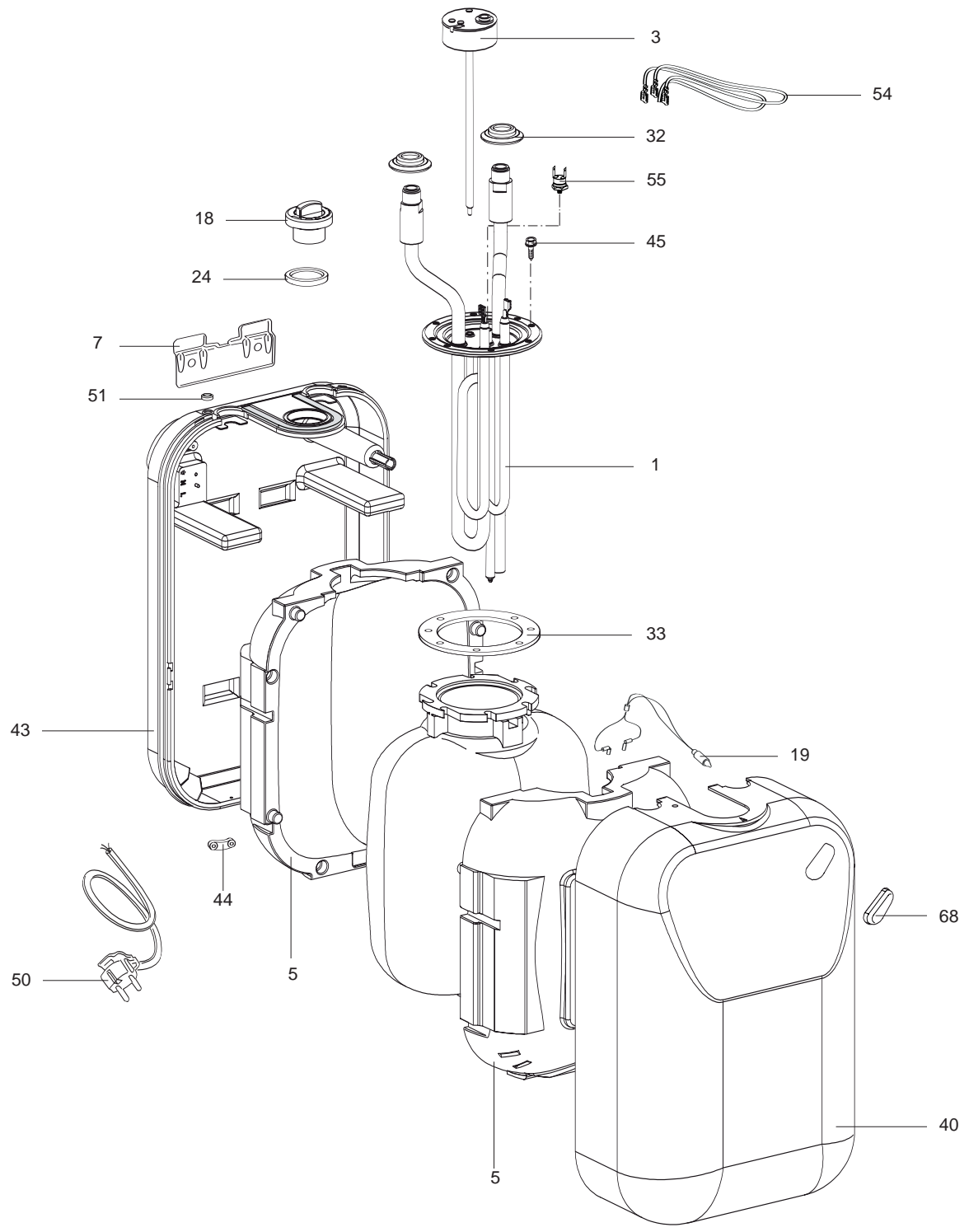
SPARE PARTS EXPLODED VIEW STORAGE ELECTRIC WATER HEATERS

Model

ARKSH

R8215488-03EN - Edition 03 - 01/09/2007

868 871		ARKS 5O
879 008		ARKSH 5O
868 872		ARKS 5U
879 009		ARKSH 5U
868 396		AKS 5U
868 397		AKSH 5U
Reference	Ind.	Model type	Begin	End



Key N	Description	Manf. Pt. N	Type				Manf. date	
				ARKS-ARKSH 50	ARKS-ARKSH 5U	AKS-AMSH 5U	from	to
0001	ELEMENT (2000W-230V)	65101350		•			01/05	
	ELEMENT (2000W 230V)	817217		•				
	ELEMENT (2000W 230V)	994120			•			
	ELEMENT (2000W-230V)	817216		•				12/04
0003	THERMOSTAT	65101349		•			03/04	07/06
	THERMOSTAT	65104527		•			08/06	
	THERMOSTAT	691256		•				
	THERMOSTAT	691257		•				02/04
	THERMOSTAT	994101				•		
0005	LAGGING	65100444		•	•	•		
0007	MOUNTING BRACKET	570216		•	•	•		
0018	KNOB	65101348		•	•		03/04	
	KNOB	994125				•		
	KNOB	994217		•	•			02/04
0019	SIGNAL LAMP	993025		•	•	•		
0024	O-RING	994129		•	•	•		
0032	RED RUBBER	992119		•	•			
	AZURE RUBBER	992120		•	•			
	RUBBER (OUTLET - RED)	994127				•		
	RUBBER (INLET - BLUE)	994128				•		
0033	FLANGE GASKET	570307		•	•	•		
0040	FRONT COVERING	65100442		•	•	•		
0043	SHELL (REAR)	65100443			•	•		
	SHELL (REAR)	65100445		•				
0044	CABLE CLAMP	573266		•	•	•		
0045	SELF-TAPPING BOLT 12PX19	570239		•	•	•		
0050	CABLE (POWER SUPPLY)	570204				•		
	CABLE (POWER SUPPLY)	65101406		•	•			
0051	GROMET	570206				•		
0054	WIRING	994122				•		
0055	THERMOSTAT (SAFETY)	994067				•		
0068	SIGNAL LAMP CAP	994114				•		
	SIGNAL LAMP CAP	994114		•	•		10/04	

LIST OF THE ABBREVIATIONS

HW	: Hot water.
CW	: Cold water.
C	: Ceramic resistance (normal heating).
Ca	: Ceramic resistance (accelerated heating)
TP	: Immersion heater.
1F	: With fittings.
2F	: Without fittings.
3F	: With fittings and another outlet connection.
AMI	: With mixing valve.
SMI	: Without mixing valve.
PUISS	: Power of th appliance.
PN	: Appliance with normal pression.
LP	: Appliance with low pression.
PV	: Appliance with variable power.
PF	: Appliance with fixed power..

IDENTIFICATION PLATE

SERIAL NUMBER

Ex: 03 09 08 (Until 12/06)

Manufacturing day
 Month of manufacture : from 1 to 12 → January to December
 Year of manufacture

OR

Ex: 02 11 00001 007843

Product reference
 Sequential number
 Month of manufacture
 Year of manufacture

Ex: 3200050 XX 070115 0000001 (From 01/07)

Sequential number
 Year (07) / Month (01) / Manufacture day (15)
 Product reference

The indications mentioned on the prices, commercial or technical literature and the scheme are written for your guidance and are available at a given time. The CONSTRUCTOR retains the power to modify the presentation, the form, the size, the conception or the material of the products.