

# Junior

## SPARE PARTS EXPLODED VIEW STORAGE ELECTRIC WATER HEATERS

Model

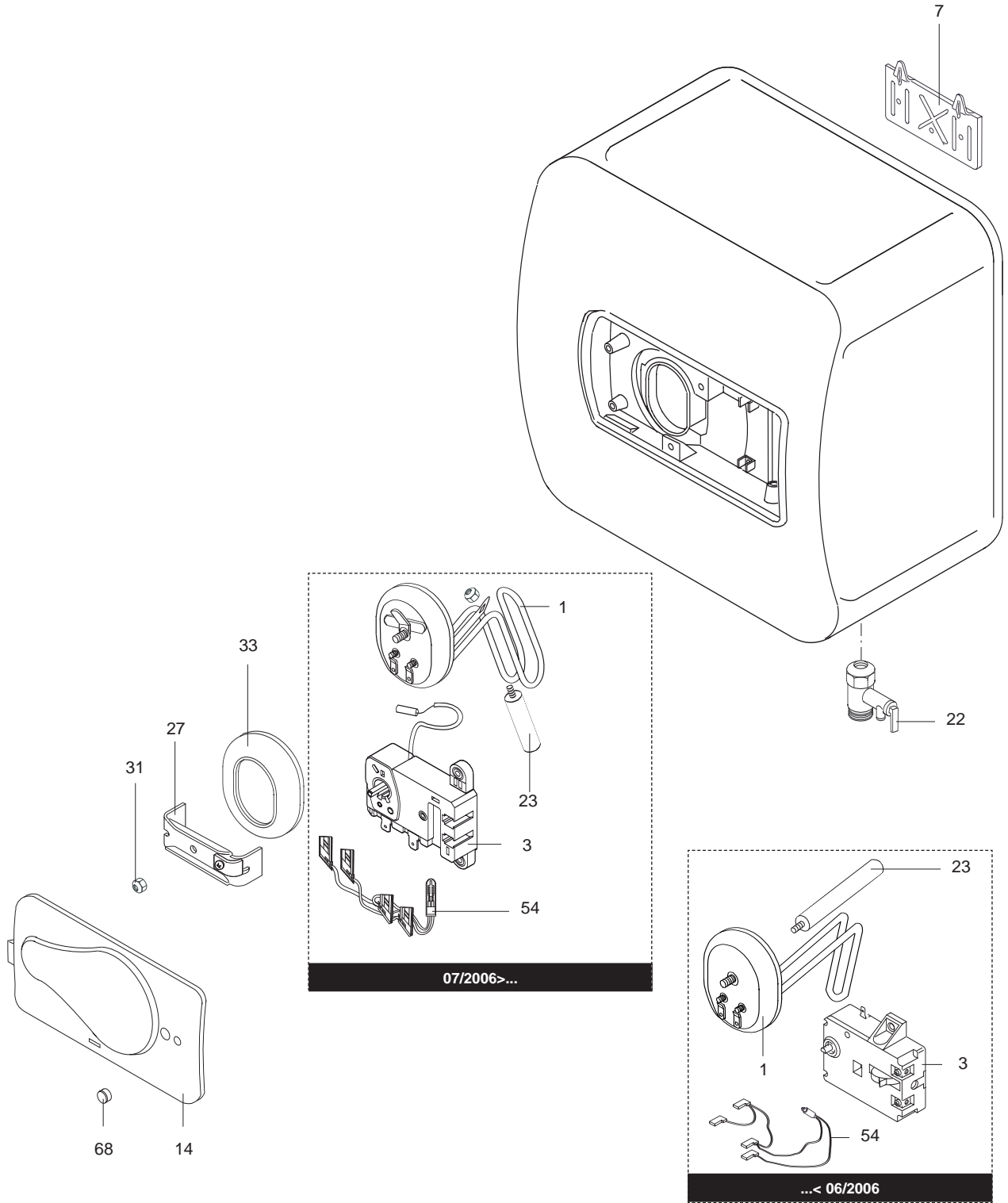
**NTS (JU)**

R8215479-02EN - Edition 02 - 17/10/2006

NTS (JU)

Storage Electric Water Heaters

877 060		NTS 10 (JU)	...	...
877 061		NTS 10S (JU)	...	...
877 062		NTS 15 (JU)	...	...
877 063		NTS 15S (JU)	...	...
877 064		NTS 30 (JU)	...	...
Reference	Ind.	Model type	Begin	End





## LIST OF THE ABBREVIATIONS

HW .....	: Hot water.
CW .....	: Cold water.
C .....	: Ceramic resistance (normal heating).
Ca .....	: Ceramic resistance (accelerated heating)
TP .....	: Immersion heater.
1F .....	: With fittings.
2F .....	: Without fittings.
3F .....	: With fittings and another outlet connection.
AMI .....	: With mixing valve.
SMI .....	: Without mixing valve.
PUISS .....	: Power of th appliance.
PN .....	: Appliance with normal pression.
LP .....	: Appliance with low pression.
PV .....	: Appliance with variable power.
PF .....	: Appliance with fixed power..

## IDENTIFICATION PLATE

### SERIAL NUMBER

Ex: 03 09 08

Manufacturing day  
 Month of manufacture : from 1 to 12 → January to December  
 Year of manufacture

OR

Ex: 02 11 00001 007843

Product reference  
 Sequential number  
 Month of manufacture : from 1 to 12 → January to December  
 Year of manufacture

The indications mentioned on the prices, commercial or technical literature and the scheme are written for your guidance and are available at a given time. The CONSTRUCTOR retains the power to modify the presentation, the form, the size, the conception or the material of the products.