

SPARE PARTS EXPLODED VIEW STORAGE ELECTRIC WATER HEATERS

Model

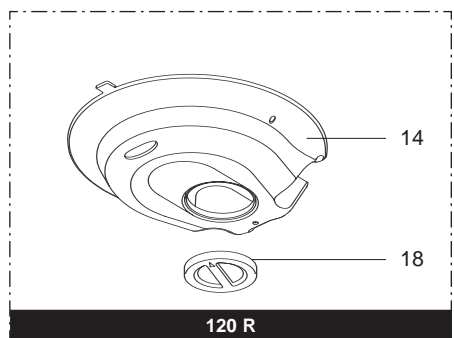
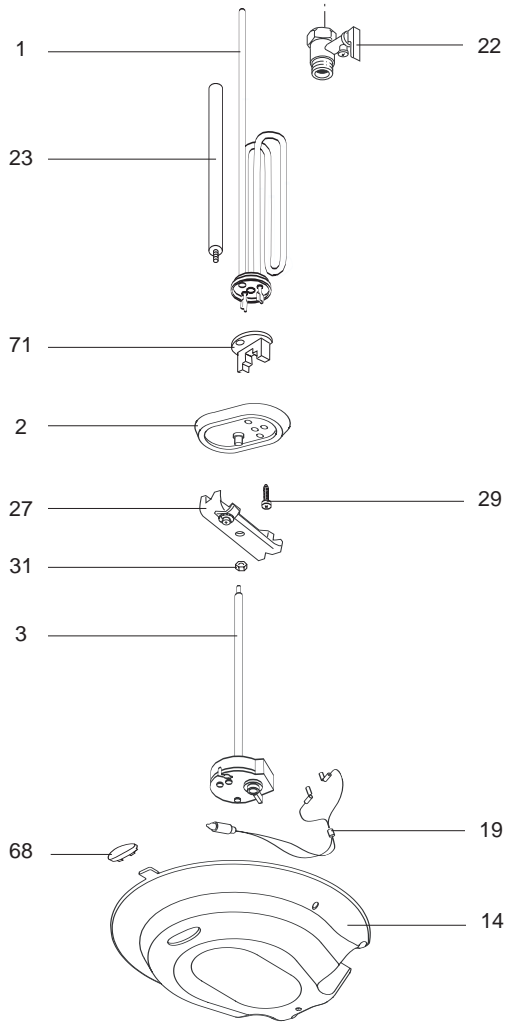
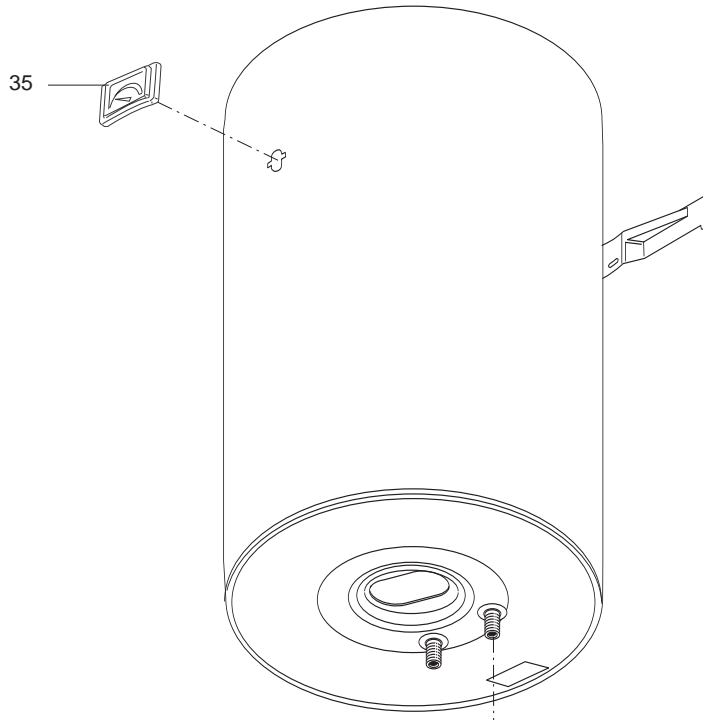
NTS 2K

R8215496-01EN - Edition 01 - 11/07/2006

NTS 2K

Storage Electric Water Heaters

870 002		NTS 80 TD 2K
870 003		NTS 80 TS 2K
870 004		NTS 100 TD 2K
870 005		NTS 100 TS 2K
350 5000		NTS 120 2K
350 5005		NTS 120 R 2K
Reference	Ind.	Model type	Begin	End



120 R

LIST OF THE ABBREVIATIONS

HW	: Hot water.
CW	: Cold water.
C	: Ceramic resistance (normal heating).
Ca	: Ceramic resistance (accelerated heating)
TP	: Immersion heater.
1F	: With fittings.
2F	: Without fittings.
3F	: With fittings and another outlet connection.
AMI	: With mixing valve.
SMI	: Without mixing valve.
PUISS	: Power of th appliance.
PN	: Appliance with normal pression.
LP	: Appliance with low pression.
PV	: Appliance with variable power.
PF	: Appliance with fixed power..

IDENTIFICATION PLATE

SERIAL NUMBER

Ex: 03 09 08

Manufacturing day
 Month of manufacture : from 1 to 12 → January to December
 Year of manufacture

OR

Ex: 02 11 00001 007843

Product reference
 Sequential number
 Month of manufacture : from 1 to 12 → January to December
 Year of manufacture

The indications mentioned on the prices, commercial or technical literature and the scheme are written for your guidance and are available at a given time. The CONSTRUCTOR retains the power to modify the presentation, the form, the size, the conception or the material of the products.