



ARISTON

SPARE PARTS EXPLODED VIEW STORAGE ELECTRIC WATER HEATERS

Model

PRO PLUS V

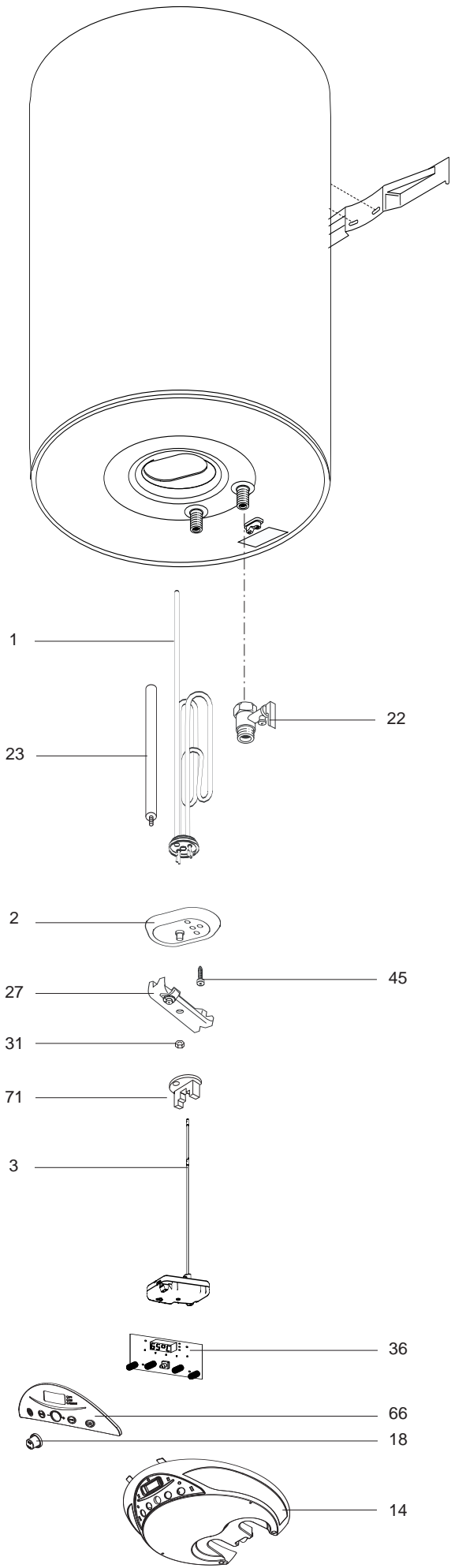
R8216369-03EN - Edition 03 - 01/07/2010

PRO PLUS V

Storage Electric Water Heaters

320 0525	PRO PLUS 50 V/5	1200 W
320 0526	PRO PLUS 80 V/5	1200 W
320 0527	PRO PLUS 100 V/5	1500 W
320 0378	PRO PLUS 50 V 1,8K	1800 W
320 0379	PRO PLUS 65 V 1,8K	1800 W
320 0380	PRO PLUS 80 V 1,8K	1800 W
320 0381	PRO PLUS 100 V 1,8K	1800 W

Reference	Ind.	Model type	Begin	End
-----------	------	------------	-------	-----

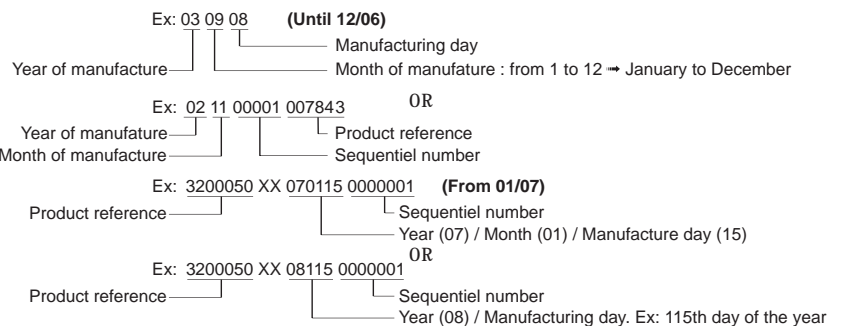


LIST OF THE ABBREVIATIONS

HW	: Hot water.
CW	: Cold water.
C	: Ceramic resistance (normal heating).
Ca	: Ceramic resistance (accelerated heating)
TP	: Immersion heater.
1F	: With fittings.
2F	: Without fittings.
3F	: With fittings and another outlet connection.
AMI	: With mixing valve.
SMI	: Without mixing valve.
PUISS	: Power of th appliance.
PN	: Appliance with normal pression.
LP	: Appliance with low pression.
PV	: Appliance with variable power.
PF	: Appliance with fixed power..

IDENTIFICATION PLATE

SERIAL NUMBER



The indications mentioned on the prices, commercial or technical literature and the scheme are written for your guidance and are available at a given time. The CONSTRUCTOR retains the power to modify the presentation, the form, the size, the conception or the material of the products.