



SPARE PARTS EXPLODED VIEW STORAGE ELECTRIC WATER HEATERS

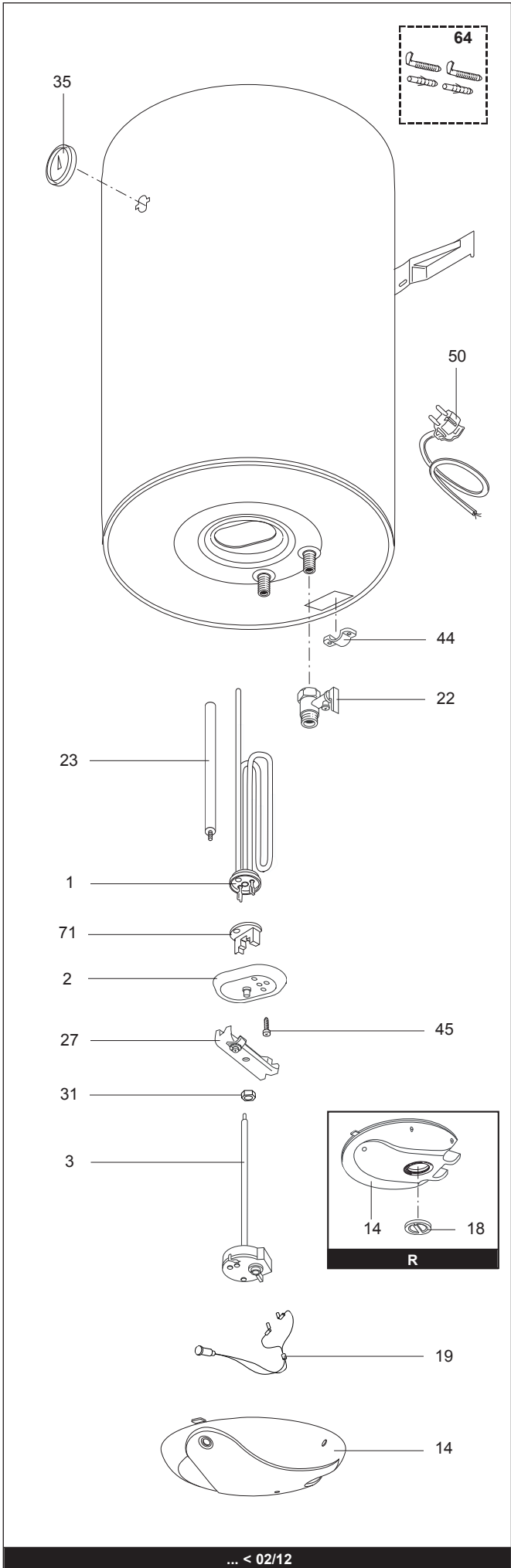
Model

SG

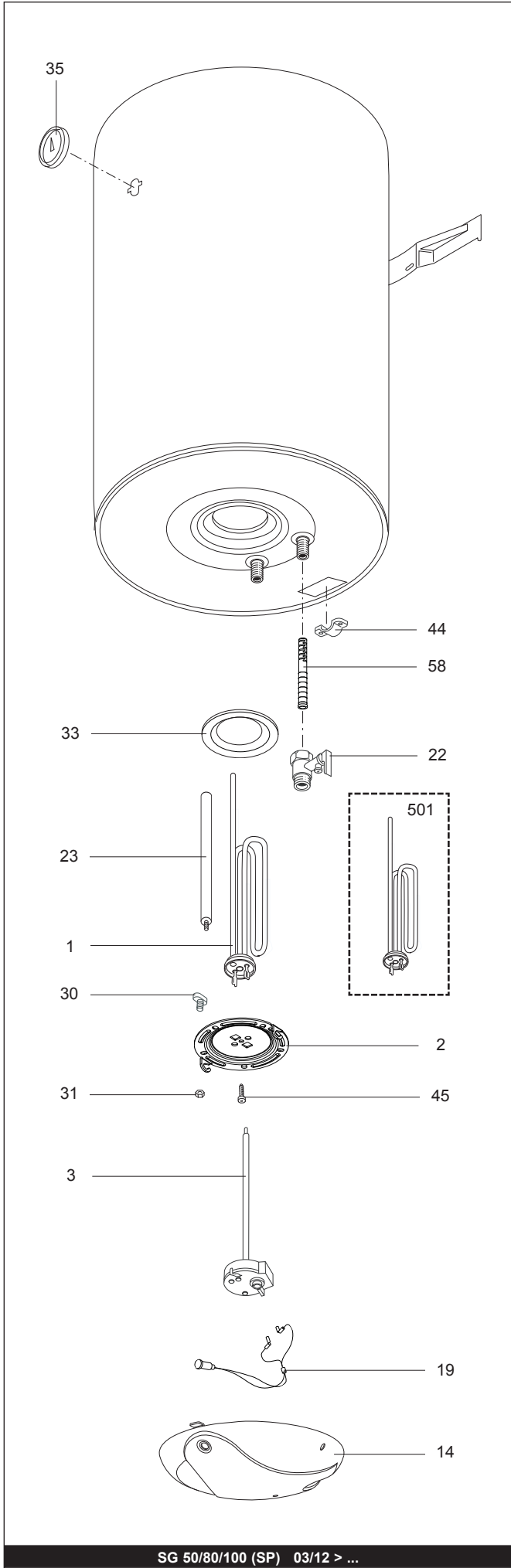
R8215319-08 - 08/04/2014

| | | | | |
|----|---------|-----------------|---------|---------|
| 1 | 869371 | SG 50 | 02-2000 | 03-2010 |
| 1 | 869372 | SG 80 | 02-2000 | 03-2010 |
| 1 | 869373 | SG 100 | 02-2000 | 03-2010 |
| 2 | 3700038 | SG 50 (SP) | 07-2005 | - |
| 2 | 3700039 | SG 80 (SP) | 07-2005 | - |
| 2 | 3700040 | SG 100 (SP) | 07-2005 | - |
| 3 | 869915 | SG 50^ | 10-2001 | 08-2002 |
| 3 | 869916 | SG 80^ | 10-2001 | 08-2002 |
| 4 | 869921 | SG 50 R | 02-2002 | 06-2010 |
| 4 | 869922 | SG 80 R | 02-2002 | 06-2010 |
| 4 | 869923 | SG 100 R | 02-2002 | 06-2010 |
| 4 | 3700066 | SG 50 R | 07-2006 | 09-2009 |
| 4 | 3700067 | SG 80 R | 07-2006 | 09-2009 |
| 4 | 3700068 | SG 100 R | 07-2006 | 09-2009 |
| 5 | 3200319 | SG R 80V BODY | 05-2007 | 11-2009 |
| 5 | 3200320 | SG R 100V BODY | 05-2007 | 11-2009 |
| 5 | 3200321 | SG R 50V BODY | 06-2007 | 11-2009 |
| 6 | 3200030 | SG 50 3 KW | 03-2004 | 04-2007 |
| 6 | 3200031 | SG 80 3 KW | 03-2004 | 04-2007 |
| 6 | 3200032 | SG 100 3 KW | 03-2004 | 04-2007 |
| 7 | 869686 | SG 50 2,5 K | 12-2000 | 01-2006 |
| 7 | 869687 | SG 80 2,5 K | 12-2000 | 01-2006 |
| 7 | 869688 | SG 100 2,5 K | 12-2000 | 01-2006 |
| 10 | 869664 | SG 80 TD | 11-2000 | 07-2002 |
| 11 | 869665 | SG 100 TD | 11-2000 | 07-2002 |
| 12 | 869691 | SG 80 TD 2,5 K | 12-2000 | 07-2002 |
| 12 | 869692 | SG 100 TD 2,5 K | 12-2000 | 07-2002 |
| 13 | 869924 | SG 80 R TD 2K | 02-2002 | 05-2010 |
| 13 | 869926 | SG 100 R TD 2K | 02-2002 | 05-2010 |
| 14 | 869925 | SG 80 R TS 2K | 02-2002 | 05-2010 |
| 14 | 869927 | SG 100 R TS 2K | 02-2002 | 05-2010 |

| Col | Reference | Model type | Begin | End |
|-----|-----------|------------|-------|-----|
|-----|-----------|------------|-------|-----|



... < 02/12



SG 50/80/100 (SP) 03/12 > ...

LIST OF THE ABBREVIATIONS

| | |
|-------------|--|
| HW | : Hot water. |
| CW | : Cold water. |
| C | : Ceramic resistance (normal heating). |
| Ca | : Ceramic resistance (accelerated heating) |
| TP | : Immersion heater. |
| 1F | : With fittings. |
| 2F | : Without fittings. |
| 3F | : With fittings and another outlet connection. |
| AMI | : With mixing valve. |
| SMI | : Without mixing valve. |
| PUISS | : Power of th appliance. |
| PN | : Appliance with normal pression. |
| LP | : Appliance with low pression. |
| PV | : Appliance with variable power. |
| PF | : Appliance with fixed power. |

IDENTIFICATION PLATE

SERIAL NUMBER

6 Characters :
 Year of manufacture: 03 09 08 Manufacturing day
 Month of manufacture

9 Characters :
 Year of manufacture: M 12 10 0606 Sequential number
 Month of manufacture

14 Characters :
 SI-V-0B0 45 07 0001

Sequential number
 Year of manufacture : 6 → 2004
 Month of manufacture : → 25 → January 43 → July 7 → 2005
 13 → February 29 → August 8 → 2006
 32 → March 40 → September etc ...
 35 → April 38 → October
 39 → May 51 → November
 45 → June 12 → December

15 Characters :
 Year of manufacture: 02 11 00001 007843 Code appareil
 Month of manufacture Sequential number

21 Characters :
 3200050 XX 08115 0000001
 Product reference Sequential number
 Year (08) / Manufacturing day (115)

22 Characters :
 3200050 XX 070115 0000001
 Product reference Sequential number
 Year (07) / Month (01) / Manufacturing day (15)

The indications mentioned on the prices, commercial or technical literature and the scheme are written for your guidance and are available at a given time. The CONSTRUCTOR retains the power to modify the presentation, the form, the size, the conception or the material of the products.