

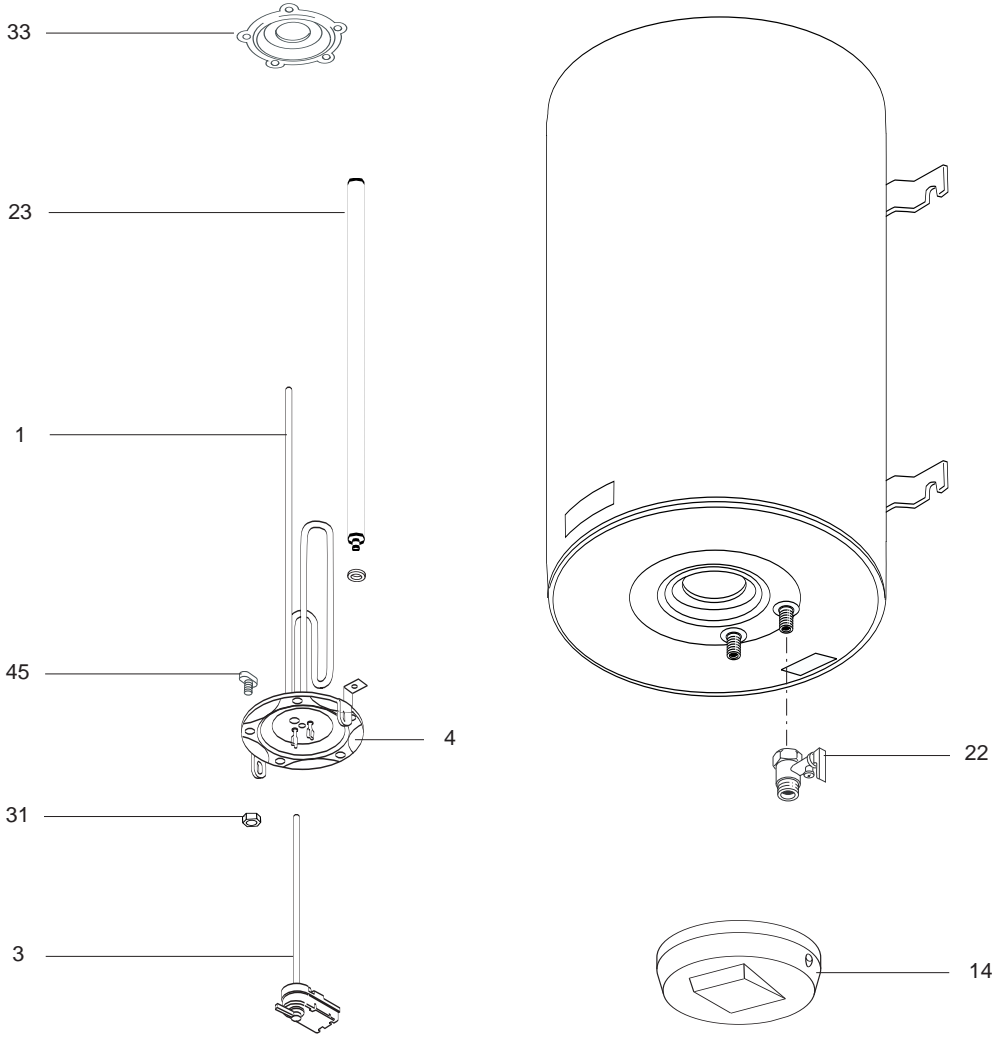
SPARE PARTS EXPLODED VIEW
STORAGE ELECTRIC WATER HEATERS

Model

TI 120/150/200

R8216018-01EN - Edition 01 - 02/07/2007

006 959		TI 120
006 960		TI 150
006 961		TI 200
Reference	Ind.	Model type	Begin	End



LIST OF THE ABBREVIATIONS

HW	: Hot water.
CW	: Cold water.
C	: Ceramic resistance (normal heating).
Ca	: Ceramic resistance (accelerated heating)
TP	: Immersion heater.
1F	: With fittings.
2F	: Without fittings.
3F	: With fittings and another outlet connection.
AMI	: With mixing valve.
SMI	: Without mixing valve.
PUISS	: Power of th appliance.
PN	: Appliance with normal pression.
LP	: Appliance with low pression.
PV	: Appliance with variable power.
PF	: Appliance with fixed power..

IDENTIFICATION PLATE

SERIAL NUMBER

Ex: 03 09 08 (Until 12/06)

OR

Ex: 02 11 00001 007843

Ex: 3200050 XX 070115 0000001 (From 01/07)

The indications mentioned on the prices, commercial or technical literature and the scheme are written for your guidance and are available at a given time. The CONSTRUCTOR retains the power to modify the presentation, the form, the size, the conception or the material of the products.